

# ProControl™ Proportional Valves

## PV3 & PV10 Series



Humphrey's ProControl™ proportional valves deliver variable flow control of compressed air or inert gas. Offered inline or manifold mount, miniature PV3 and PV10 series feature low hysteresis, excellent turn down ratios and repeatability. The design is flexible and, in certain applications, may be tailored at factory to meet unique requirements.

### FEATURES

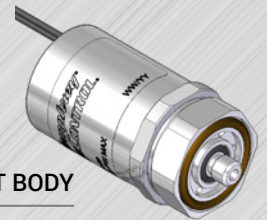
- Low hysteresis
- Excellent Resolution
- Low power consumption
- Compact construction
- Up to 75 SLPM flow

### USES

- Anesthesia gas delivery
- Oxygen delivery
- Sensor calibration
- Gas Chromatography
- Pressure control via dump circuit
- Medical support equipment
- Industrial control circuit
- Inducing or mixing gases



INLINE BODY



MANIFOLD MOUNT BODY

### ACCESS ONLINE CATALOG

Obtain 3D CAD Download, CAD Viewer, 2D Dimensional Drawings, Product Images, DataSheet PDFs, Product Accessories



## How to Order

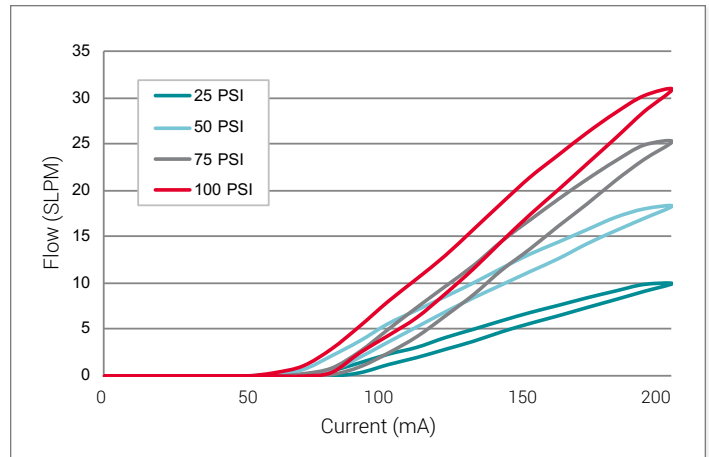
### ProControl™ Proportional Valves || PV3 & PV10 Series

PV3	PM	12	032	A0	PV3PM12032A0
<b>MODEL</b> PV3 PV10	<b>BODY</b> P: Inline PM: Manifold EP: Metric Inline	<b>VOLTS</b> 12: 12VDC 24: 24VDC	<b>ORIFICE SIZE</b> 032: 0.032" [0.8] (PV3) 080: 0.080" [2] (PV10)	<b>MAXIMUM PRESSURE SETTING</b> 25: 25 PSI (1.7bar) 75: 75 PSI (5.2 bar) 50: 50 PSI (3.4 bar) A0: 100 PSI (6.9 bar)	<b>ORDER EXAMPLE</b>

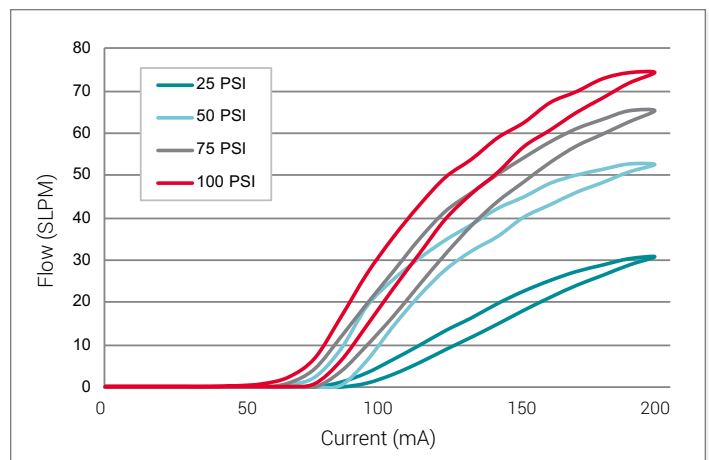
# ProControl™ Proportional Valves PV3 & PV10 Series

SPECIFICATIONS	PV3	PV10
TYPE OF OPERATION	Direct Solenoid	
FUNCTION	2-Way, Normally Closed	
MEDIA	Air, Inert Gas	
MOUNTING	Refer to Manifold Mount Drawing Below.	
PRESSURE SETTINGS - PSI (BAR)	25 (1.7), 50 (3.4), 75 (5.2), 100 (6.9)	
HYSTERESIS (TYP)	8%	
MAXIMUM FLOW (TYP)	30 SLPM	75 SLPM
AMBIENT TEMPERATURE	32-125° F (0-52° C)	
POWER CONSUMPTION (WATTS)		
AT RATED CURRENT	2	4
MAXIMUM	2.4	4.8
NORMAL RESISTANCE (OHMS)		
12V MODEL @72°F (22°C)	50	25
24V MODEL @72°F (22°C)	200	100
OPERATING CURRENT RANGE		
12V MODEL (mA)	0-200	0-400
24V MODEL (mA)	0-100	0-200
WETTED MATERIALS	ENP Brass, SST, Nickel plated, FKM	
WEIGHT – OZ (GRAMS)	3 (93)	
COMPLIANCE	RoHS, REACH	

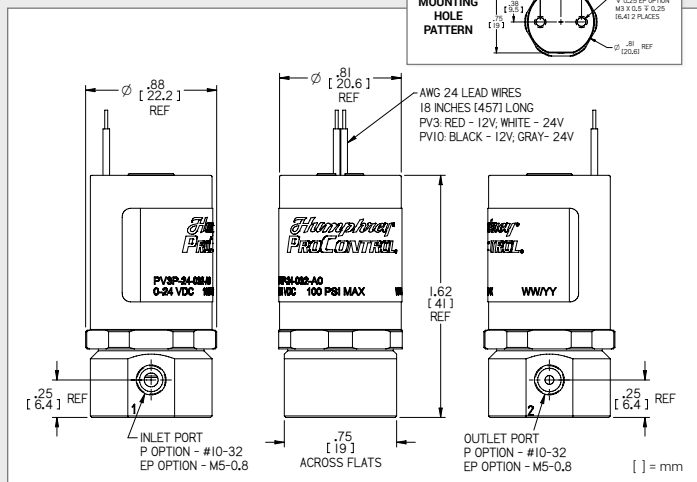
PV3 12V OPTIMIZED FOR FLOW VS CURRENT



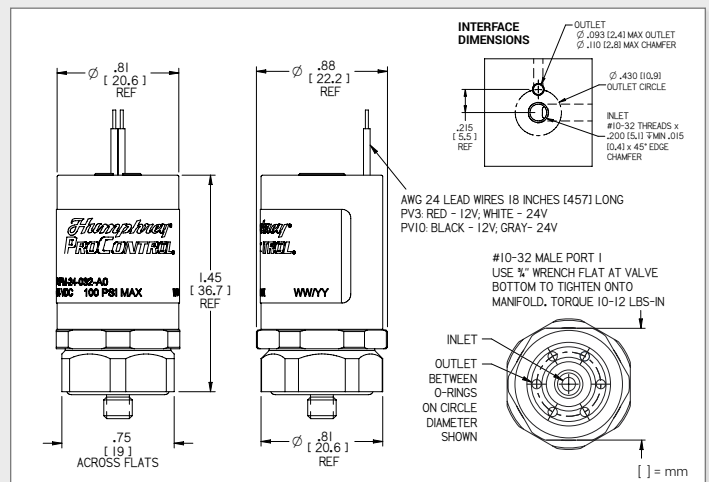
PV10 24V OPTIMIZED FOR FLOW VS CURRENT



## INLINE DIMENSIONAL DRAWINGS



## MANIFOLD MOUNT DIMENSIONAL DRAWINGS



Certified: ISO 9001:2015

**HUMPHREY-PRODUCTS.COM**

Humphrey Life Science Group  
© 2021 Humphrey Products Company  
Printed in U.S.A.  
**LDSPCPV21**

Humphrey Products Company  
5070 East N Avenue  
Kalamazoo, MI 49048 USA  
E: lsg@Humphrey-Products.com  
P: 1.800.477.8707



**Humphrey**