

Sinclair Collins®

SC2000 Series

Stainless Steel, 500 PSI

Check Valves

Bulletin SC2000-C/USA



Parker
Climate & Industrial
Controls

Features

- Simple 3-piece design
- Piston type stem
- Investment cast 316 stainless steel body
- Cast arrow on body indicates flow direction



Specifications

- Horizontal service only
- Media: Water, steam, oil
- Maximum Pressure: 500 PSI (34 Bar)
- Maximum Temperature: 450°F (232°C)

Materials

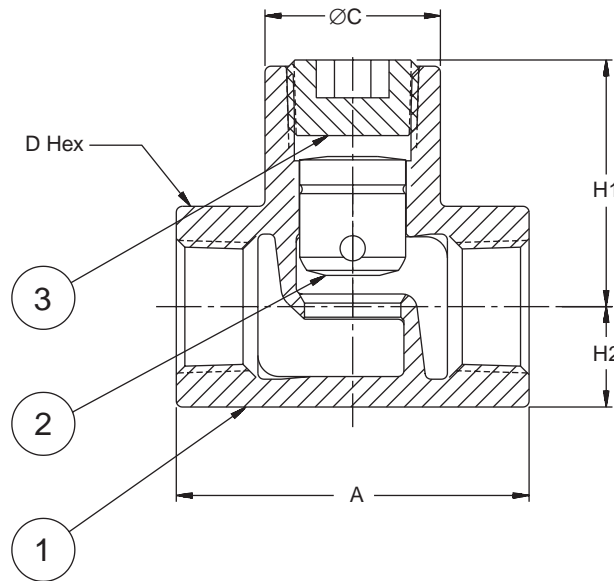
Item	Description	Material
1	Body	316 Stainless Steel
2	Stem	Nitrided Carbon Steel
3	Plug	Nitrided Carbon Steel

Flow Values

Body Size	Flow (Cv)
1/2"	4.2
3/4"	7.5
1"	14.1
1 1/4"	24.8
1 1/2"	30.7
2"	52.0

Inline Check Valves

Millimeter equivalents
 for inch dimensions
 shown in ().

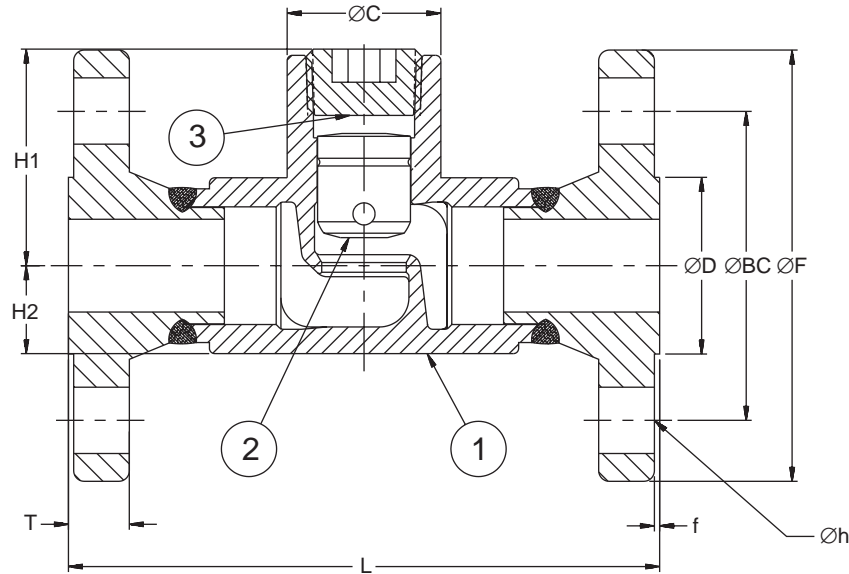


Dimensions

Size	Model Number		Dimensions				
	NPTF	BSPTR	A	ØC	D (Hex)	H1	H2
1/2"	L194-2005	L194-2105	2.50 (63.5)	1.11 (28.2)	1.11 (28.2)	1.54 (39.1)	0.64 (16)
3/4"	L194-3005	L194-3105	2.94 (74.7)	1.37 (34.8)	1.37 (34.8)	1.98 (50.3)	0.79 (20)
1"	L194-4005	L194-4105	3.50 (88.9)	1.74 (44.2)	1.74 (44.2)	2.45 (62.2)	0.99 (25)
1-1/4"	L194-5005	L194-5105	4.06 (103.1)	1.99 (50.5)	1.99 (50.5)	3.05 (77.5)	1.14 (29)
1-1/2"	L194-6005	L194-6105	4.62 (117.3)	2.38 (60.5)	2.38 (60.5)	3.51 (89.2)	1.35 (34)
2"	L194-7005	L194-7105	5.75 (146.0)	3.00 (76.2)	3.00 (76.2)	4.42 (112.3)	1.71 (43.4)

**Flange Mounted
 Check Valves**

Millimeter equivalents
 for inch dimensions
 shown in ().



ANSI Flanges

Port Size	Model Number	ØC	ØD	Ød	ØF	f	Øh	H1	H2	L	T	ØBC
1/2"	L194-2305	1.11 (28.2)	1.38 (35)	0.62 (15.7)	3.75 (95.3)	0.062 (1.6)	0.63 (16)	1.69 (43)	0.64 (16.3)	5.51 (140)	0.56 (14.3)	2.63 (66.7)
3/4"	L194-3305	1.37 (34.8)	1.69 (43)	0.82 (20.8)	4.63 (117.6)	0.062 (1.6)	0.75 (19)	2.13 (54.1)	0.78 (19.8)	5.91 (150)	0.63 (16)	3.25 (82.6)
1"	L194-4305	1.74 (44.2)	2.00 (51)	1.05 (26.7)	4.88 (124)	0.062 (1.6)	0.75 (19)	2.64 (67)	1.00 (25.4)	6.69 (170)	0.69 (17.5)	3.50 (88.9)
1 1/4"	L194-5305	2.00 (50.8)	2.50 (63.5)	1.38 (35.0)	5.25 (134)	0.062 (1.6)	0.75 (19)	3.19 (81)	1.14 (29)	7.48 (190)	0.75 (19.1)	3.88 (98.5)
1 1/2"	L194-6305	2.38 (60.5)	2.88 (73.1)	1.61 (40.9)	6.13 (156)	0.062 (1.6)	0.88 (22.2)	3.64 (92.5)	1.35 (34.3)	7.87 (200)	0.81 (20.7)	4.50 (114.3)
2"	L194-7305	3.00 (76.2)	3.63 (92.2)	2.07 (52.5)	6.50 (165)	0.062 (1.6)	0.75 (19)	4.56 (115.8)	1.71 (43.4)	9.06 (230)	0.88 (22.3)	5.00 (127)

JIS Flanges

Port Size	Model Number	ØC	ØD	Ød	ØF	f	Øh	H1	H2	L	T	ØBC
1/2"	L194-2505	1.11 (28.2)	2.05 (52)	0.59 (15)	3.74 (95)	0.04 (1)	0.59 (15)	1.69 (43)	0.64 (16.3)	5.75 (146)	0.55 (14)	2.76 (70)
3/4"	L194-3505	1.37 (34.8)	2.28 (58)	0.78 (20)	3.94 (100)	0.04 (1)	0.59 (15)	2.13 (54.1)	0.78 (19.8)	5.75 (146)	0.63 (16)	2.95 (75)
1"	L194-4505	1.74 (44.2)	2.76 (70)	0.98 (25)	4.92 (125)	0.04 (1)	0.75 (19)	2.64 (67)	1.00 (25.4)	6.57 (167)	0.63 (16)	3.54 (90)
1 1/4"	L194-5505	2.00 (50.8)	3.15 (80)	1.25 (32)	5.31 (135)	0.08 (2)	0.75 (19)	3.19 (81)	1.14 (29)	7.48 (190)	0.71 (18)	3.94 (100)
1 1/2"	L194-6505	2.38 (60.5)	3.35 (85)	1.58 (40)	5.51 (140)	0.08 (2)	0.75 (19)	3.64 (92.5)	1.35 (34.3)	7.48 (190)	0.71 (18)	4.13 (105)
2"	L194-7505	3.00 (76.2)	3.94 (100)	1.96 (50)	6.10 (155)	0.08 (2)	0.75 (19)	4.56 (115.8)	1.71 (43.4)	8.50 (216)	0.71 (18)	4.72 (120)

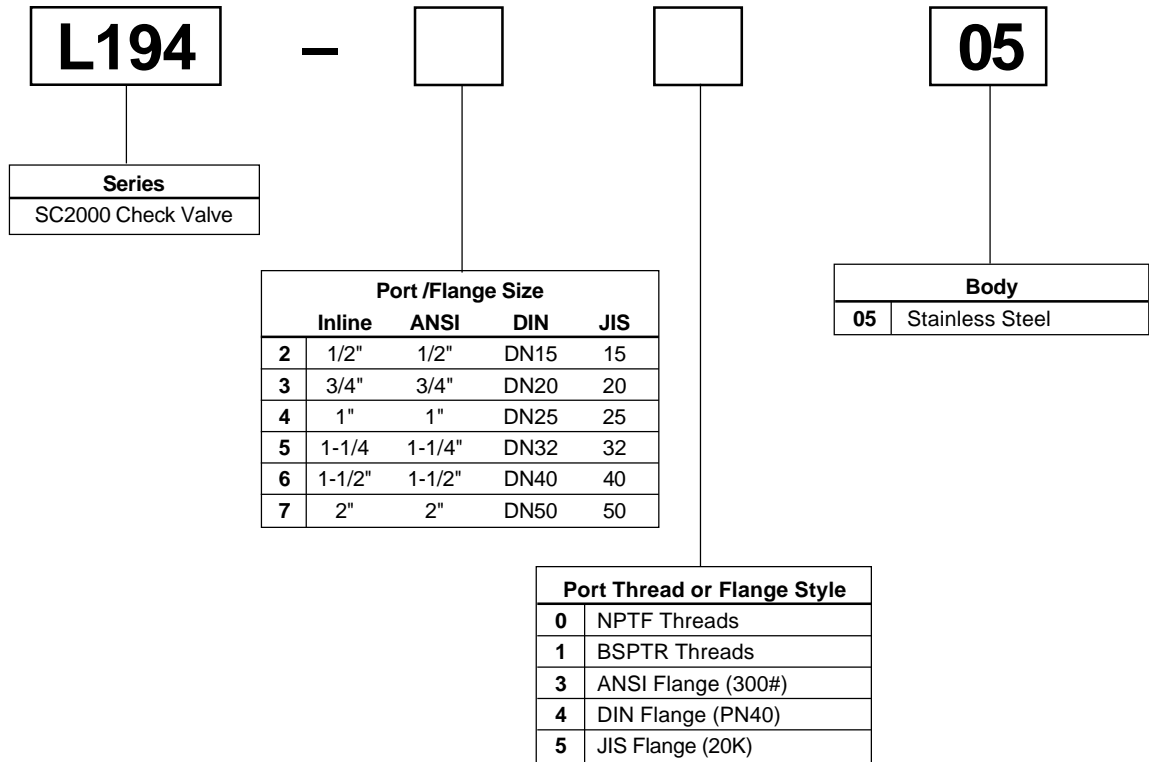
DIN Flanges

Port Size	Model Number	ØC	ØD	Ød	ØF	f	Øh	H1	H2	L	T	ØBC
1/2"	L194-2405	1.11 (28)	1.77 (45)	0.68 (17.3)	3.74 (95)	0.08 (2)	0.55 (14)	1.69 (43)	0.64 (16.3)	5.12 (130)	0.63 (16)	2.56 (65)
3/4"	L194-3405	1.37 (35)	2.28 (58)	0.88 (22.3)	4.13 (105)	0.08 (2)	0.55 (14)	2.13 (54.1)	0.78 (19.8)	5.91 (150)	0.71 (18)	2.95 (75)
1"	L194-4405	1.74 (44)	2.68 (68)	1.12 (28.5)	4.53 (115)	0.08 (2)	0.55 (14)	2.64 (67)	1.00 (25.4)	6.30 (160)	0.71 (18)	3.35 (85)
1 1/4"	L194-5405	2.00 (50.8)	3.07 (78)	1.46 (37.2)	5.51 (140)	0.08 (2)	0.71 (18)	3.19 (81)	1.14 (29)	7.09 (180)	0.71 (18)	3.94 (100)
1 1/2"	L194-6405	2.38 (60.5)	3.46 (88)	1.70 (43.1)	5.91 (150)	0.12 (3)	0.71 (18)	3.64 (92.5)	1.35 (34.3)	7.87 (200)	0.71 (18)	4.33 (110)
2"	L194-7405	3.00 (76.2)	4.01 (102)	2.14 (54.5)	6.5 (165)	0.12 (3)	0.71 (18)	4.56 (115.8)	1.71 (43.4)	9.05 (230)	0.79 (20)	4.92 (125)

Examples:

L194-2005 = 1/2" NPTF Threads, Stainless Steel Body

L194-4105 = 1" BSPTR Threads, Stainless Steel Body



! WARNING

FAILURE OR IMPROPER SELECTION OR IMPROPER USE OF THE PRODUCTS AND/OR SYSTEMS DESCRIBED HEREIN OR RELATED ITEMS CAN CAUSE DEATH, PERSONAL INJURY AND PROPERTY DAMAGE.

This document and other information from Parker Hannifin Corporation, its subsidiaries and authorized distributors provide product and/or system options for further investigation by users having technical expertise. It is important that you analyze all aspects of your application, including consequences of any failure, and review the information concerning the product or system in the current product catalog. Due to the variety of operating conditions and applications for these products or systems, the user, through its own analysis and testing, is solely responsible for making the final selection of the products and systems and assuring that all performance, safety and warning requirements of the application are met.

The products described herein, including without limitation, product features, specifications, designs, availability and pricing, are subject to change by Parker Hannifin Corporation and its subsidiaries at any time without notice.

© Copyright 1998, Parker Hannifin Corporation, All Rights Reserved



Parker Hannifin Corporation
 Sinclair Collins Division
 454 Morgan Avenue
 Akron, Ohio 44311 USA
 Phone: (330) 724-3535
 Fax: (330) 724-3956
 Web site: <http://www.parker.com/sc>

Catalog SC2000-C/USA
 5M 8/98 FP

Printed in U.S.A.